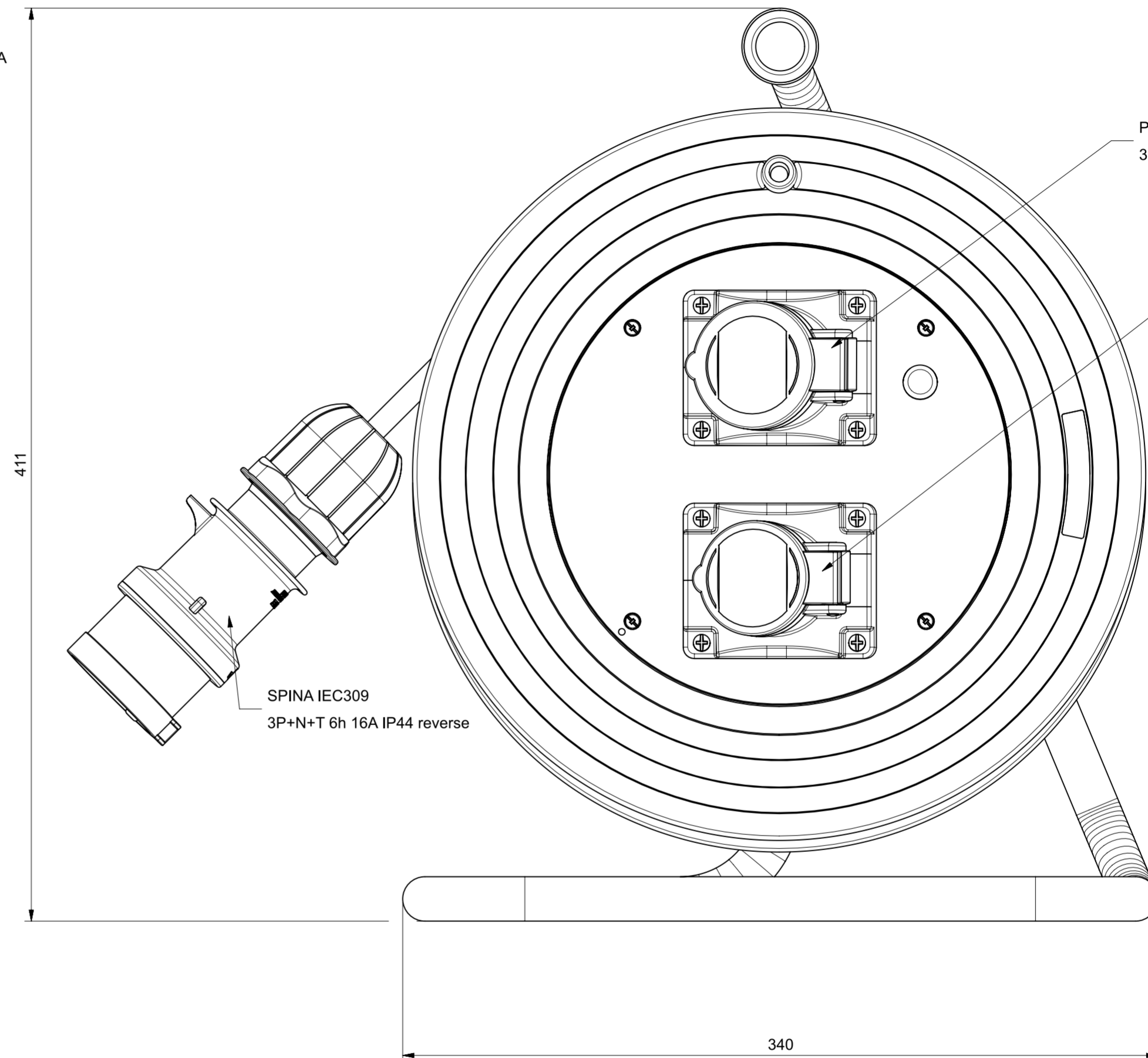


CAVO: VEDI TABELLA




PRESA IEC309
3P+T 6h 16A IP44

PRESA IEC309
2P+T 6h 16A IP44

SPINA IEC309
3P+N+T 6h 16A IP44 reverse

CODICE AVVOLGICAVO	TIPO DI CAVO	SEZIONE (mm2)	LUNGHEZZA (m)
746.2010-075	H07RN-F	5x2,5	20

At the end of the law, we reserve the ownership of this design may not be copied and transfer it to third parties or competitors		Format	A2	Scale	1:2	Mould N°	1000XXXX	Drawn	SCAME
		Tolerances for linear and angular dimensions without indication of specific tolerances: JS13 / UNI 286-1:2010						Date	gg-mm-aaaa
								Approved	
 S.p.A. PARRE - (Bergamo)		DESCRIPTION						CODE	Sheet 1 / 1
		AVVOLGICAVO ROLLER 330						4007893	