

8	CARCASSE DE FICHE / PLUG CASING		1	
7	SCREW TERM.50 ² -70 ² EA/PH 4P+E	899.SP2FE70S		26
	CRIMPING TERM.95 ² EARTH	899.SP2FE95		
	CRIMPING TERM.70 ² EA/PH 4P+E	899.SP2FE70		29
6	FEMALE PHASE CAL.10	899.SP2FC10	3	
5	MALE EARTH CONTACT CAL.10	899.SP2ME10	1	
4	SCREW TERM.50 ² -70 ² PHASE	899.SP2SC70		26
	CRIMPING TERM.95 ² PHASE	899.SP2CP95		30
	CRIMPING TERM.70 ² PHASE	899.SP2CP70		29
3	SHORT INSERT (PLUG) 3P+E	899.SP2PI3	1	
2	CABLE GLAND SEAL Ø54		1	
1	MALE PILOT PIN CRIMP CAL.6	899.SP2MP06	2	
Ind19	Description	Reference	Cont.	Strip. A

PRODUCT REFERENCE

899.AL2PR350V
899.AL2PR370
899.AL2PR395

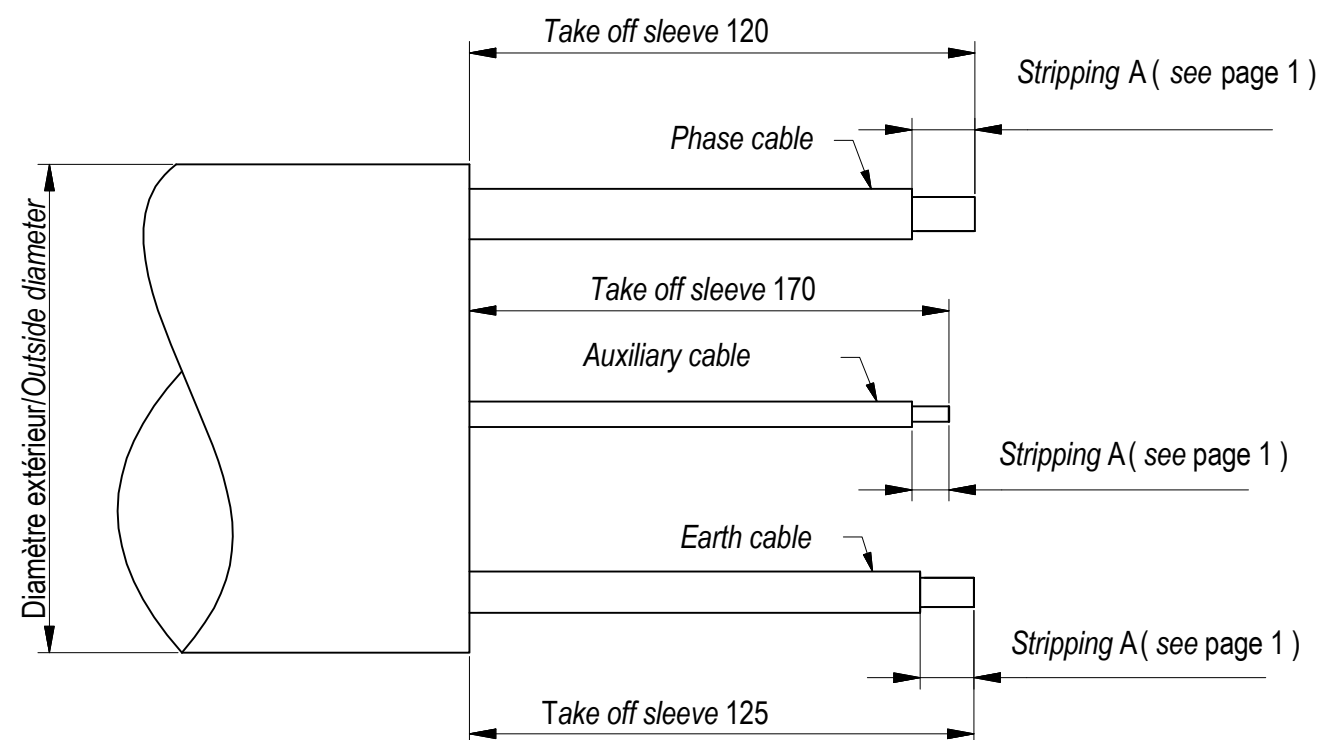
SCAME
S.p.A.
PARRE - (Bergamo)
zp90982-02-2_mp39353

ASSEMBLY INSTRUCTIONS

- 1- PREPARE THE CABLES AS SCHEME BELOW.
- 2- CRIMP OR SOLDER CABLE TERMINALS (4;7) ON PHASE CABLES AND EARTH CABLE [TOOL Nr 7 AND 8], FOR CABLE TERMINALS TO SCREW (4) [TOOL Nr 6].
- 3- UNSCREW HANDLE (8.1) [TOOL Nr 3] AND CABLE GLAND (8.3).
- 4- IN THE ORDER, SLIDE CABLE GLAND (8.3), WASHER (8.2), SEAL (2) AND HANDLE (8.1) OVER THE CABLE.
- 5- ENGAGE EARTH CONTACT (5) IN THE HOLE OF EARTH EAR IN THE MIDDLE OF PLUG CASING (8).
- 6- PLACE CABLE TERMINAL (7) OF EARTH CABLE AT THE BACKSIDE OF EARTH CONTACT (5), SCREW CONTACT, WHEN CABLE TERMINAL HEXAGON TOUCH EARTH EAR OF PLUG CASING (8), PUSH IT INSIDE OF EARTH EAR TO BLOCK IT, THEN TIGHTEN CONTACT (5) (TORQUE 4Nm) [TOOL Nr 1 AND 2].
- 7- REMOVE SCREWS OF CONTACTS (1) [TOOL Nr 5], INTRODUCE CONTACTS IN FRONT OF FEMALE CONTACT CARRIER (3). INTRODUCE PILOT CABLES IN BACKSIDE OF CONTACTS AND PUT SCREW IN CONTACTS THEN TIGHTEN [TOOL Nr 5].
- 8- INTRODUCE EACH CABLE TERMINAL (4) AT THE BACKSIDE OF FEMALE CONTACT CARRIER (3), HEXAGON OF CABLE TERMINAL MUST CORRESPOND WITH HEXAGON INSIDE OF THE FEMALE CONTACT CARRIER, THEN SCREW CONTACTS (6) IN THE FRONT OF FEMALE CONTACT CARRIER (TORQUE 4Nm) [TOOL Nr 1 AND 2].
- 9- INTRODUCE INSERT (3) IN BODY FRONT (8) AND FIX HANDLE (8.1) [TOOL Nr 3].
- 10- PLACE SEAL (2) AND WASHER (8.2) INTO HANDLE (8.1) THEN SCREW CABLE GLAND (8.3) TO BE WATERPROOF.
- 11- TIGHTEN SCREWS AND NUTS OF CABLE CLAMPS (8.4) ON CABLE TO BLOCK CABLE GLAND (8.3) [TOOL Nr 4].

LIST OF TOOLS *

- 1- TORQUE WRENCH FACOM REF. J.306A50
- 2- SOCKETS FACOM : 3/8" Nr14 REF: J.14LA
- 3- ANGLED SOCKET WRENCH OR OPEN END WRENCH 10mm
- 4- ANGLED SOCKET WRENCH OR OPEN END WRENCH 13mm
- 5- FLAT SCREWDRIVER Nr3
- 6- ALLEN KEY Nr4
- 7- CRIMPING TOOL KLAUKE HK 120 U
- 8- KLAUKE CRIMPING JAW: 70° REF: HNFF 13/70
95° REF: HNFF 13/95
- 9- CRIMPING TOOL CEMBRE H Nr1



* TOOL REFERENCES ARE ONLY RECOMMENDED AND GIVEN AS EXAMPLES. TOOLS ARE NOT PROVIDED OR IMPOSED BY SCAME.