

8	CONNECTOR HANDLE		1	
7	CONNECTOR CASING		1	
6	EARTH FEMALE CONTACT CAL.20		1	
5	4+E FEMALE CONTACT CARRIER		1	
4	CABLE GLAND SEAL 100			
	CABLE GLAND SEAL Ø90			
3	AUXILIARY FEMALE CONTACT CAL.4		2	19
2	CABLE TERMINAL TO CRIMP OR SOLDER 300 <sup>2</sup>			48
	CABLE TERMINAL TO CRIMP OR SOLDER 240 <sup>2</sup>			42
1	PHASE FEMALE CONTACT CAL.20		4	

Ind	Description	Reference	Cont.	Strip. A
-----	-------------	-----------	-------	----------

Frédéric RUSSO  
2013.10.23 11:53:09 +0200

PRODUCT REFERENCE

899.AL8CF424S  
899.AL8CF430S

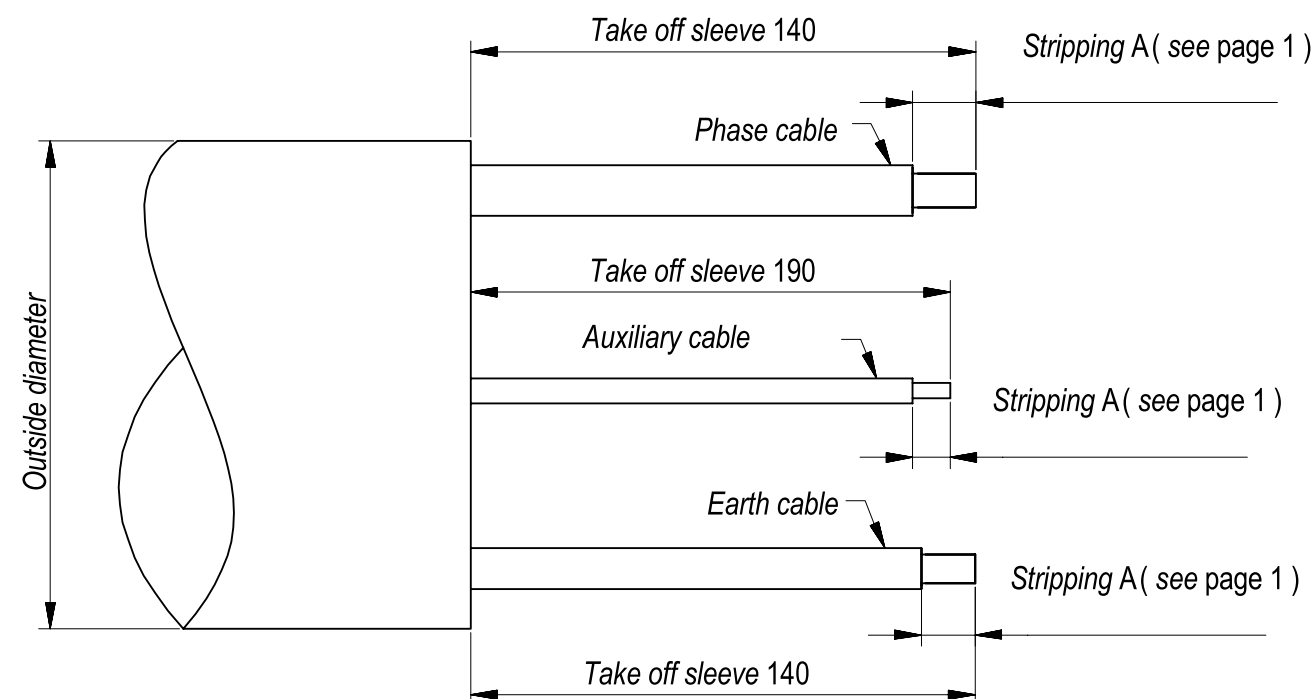
**SCAME**  
S.p.A.  
PARRE - (Bergamo)  
zp90982-19-2\_mp39408

## ASSEMBLY INSTRUCTIONS

- 1- PREPARE THE CABLES AS SCHEME BELOW.
- 2- CRIMP OR SOLDER CABLE TERMINALS (2) ON PHASE CABLES AND EARTH CABLE [ TOOL Nr 9 AND 10 ].
- 3- UNSCREW HANDLE (8) [ TOOL Nr 8 ] AND CABLE GLAND (8.2).
- 4- IN THE ORDER, SLIDE CABLE GLAND (8.2), WASHER (8.3), CABLE GLAND SEAL (4), HANDLE (8), SEAL (7.1) AND CONNECTOR (7) OVER THE CABLE.
- 5- REMOVE SCREWS OF CONTACTS (3) [ TOOL Nr 7 ], INTRODUCE CONTACTS IN FRONT OF FEMALE CONTACT CARRIER (5). INTRODUCE PILOT CABLES IN BACKSIDE OF CONTACTS AND PUT SCREWS IN CONTACTS THEN TIGHTEN [ TOOL Nr 7 ].
- 6- INTRODUCE CONTACTS (1) IN FRONT OF FEMALE CONTACT CARRIER (5). INTRODUCE EACH CABLE TERMINAL (2) AT THE BACKSIDE OF CONTACTS (1), THEN SCREW CONTACTS (1) ( TORQUE 25Nm ) [ TOOL Nr 1, 2 AND 3 ]  
BLOCKING CABLE TERMINALS (2) IN GROOVE OF INSERT.
- 7- INTRODUCE FEMALE CONTACT CARRIER (5) IN SOCKET (7) AND TIGHTEN IT [ TOOL Nr 6 ].
- 8- ENGAGE EARTH CONTACT (6) IN THE HOLE OF EARTH EAR IN THE MIDDLE OF CONNECTOR (7).
- 9- PLACE CABLE TERMINAL (2) OF EARTH CABLE AT THE BACKSIDE OF EARTH CONTACT (6), SCREW CONTACT, WHEN CABLE TERMINAL HEXAGON TOUCH EARTH EAR OF CONNECTOR (7), PUSH IT INSIDE OF EARTH EAR TO BLOCK IT, THEN TIGHTEN CONTACT (6) ( TORQUE 25Nm ) [ TOOL Nr 1; 2 AND 3 ].
- 10- FIX SEAL (7.1) AND HANDLE (8) ON CONNECTOR (7) [ TOOL Nr 8 ].
- 11- PLACE SEAL (4) AND WASHER (8.3) INTO HANDLE (8) THEN SCREW CABLE GLAND (8.2) TO BE WATERPROOF.
- 12- TIGHTEN SCREWS AND NUTS OF CABLE CLAMPS (8.1) ON CABLE TO BLOCK CABLE GLAND (8.2) [ TOOL Nr 5 ].

### LIST OF TOOLS \*

- 1- TORQUE WRENCH FACOM REF: J.306A50
- 2- INCREASER 3/8" TO 1/2" FACOM REF: J.232
- 3- SOCKETS FACOM : 1/2" Nr30 REF: S.30
- 4- ANGLED SOCKET WRENCH OR OPEN END WRENCH 19mm6- FLAT SCREWDRIVER Nr 6.5
- 5- FLAT SCREWDRIVER Nr 3
- 6- ALLEN KEY Nr 4
- 7- CRIMPING TOOL KLAUKE HK 120 U
- 8- KLAUKE CRIMPING JAW: 240° REF: HNFF 13/240  
400° REF: HNF 13/400



Frédéric RUSSO  
2013.10.23 11:53:22 +02'00'

**SCAME**  
S.p.A.  
PARRE - (Bergamo)  
zp90982-19-2\_mp39408

\* TOOL REFERENCES ARE ONLY RECOMMENDED AND GIVEN AS EXAMPLES. TOOLS ARE NOT PROVIDED OR IMPOSED BY SCAME.