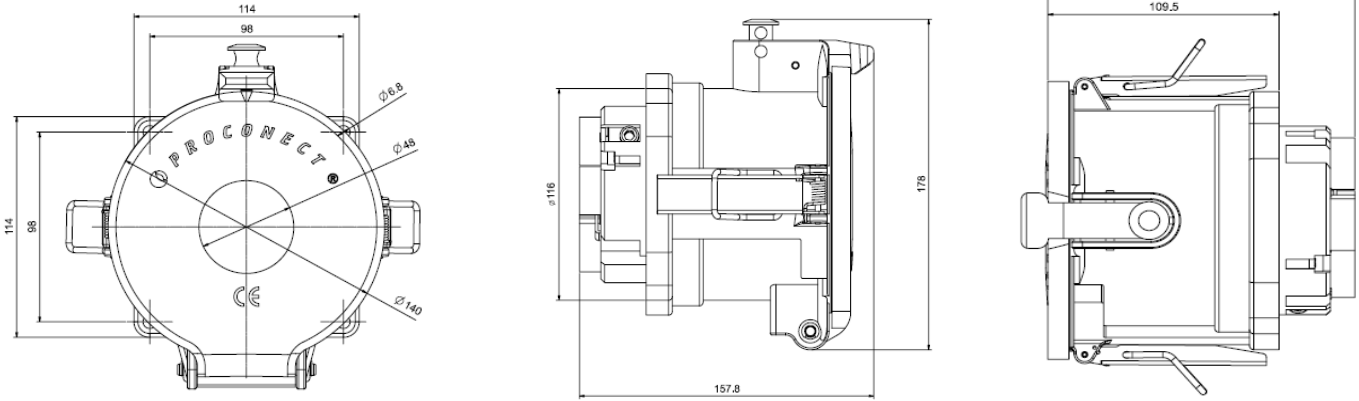
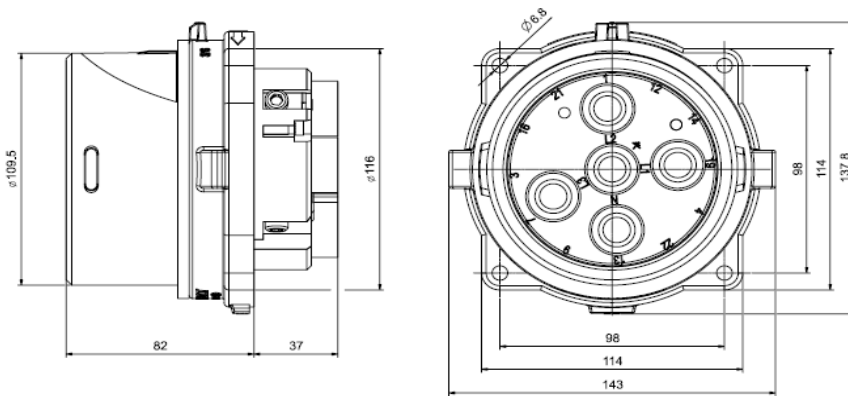


# OPTIMA METAL SERIES TYPE HDSD 200 - INSTRUCTIONS FOR USE AND INSTALLATION

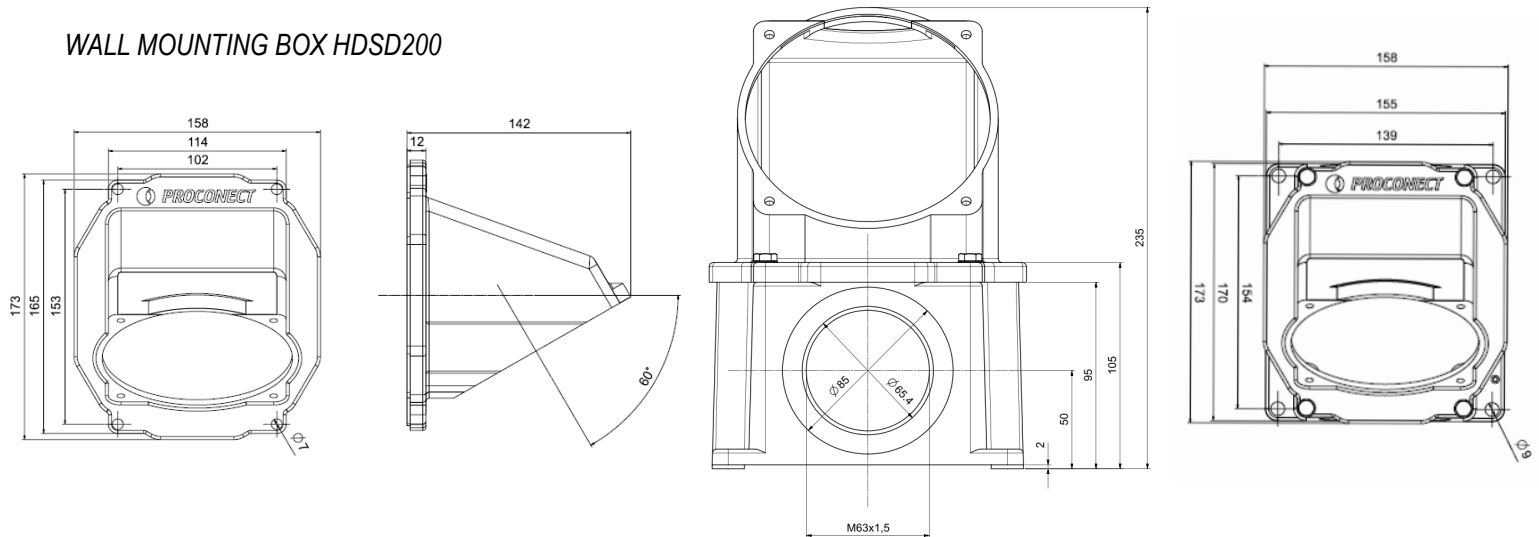
## PANEL MOUNTING SOCKET HDSD200



## PANEL MOUNTING INLET HDSD200

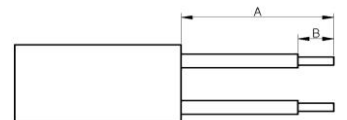


## WALL MOUNTING BOX HDSD200



## Maximum conductor and cable sizes

	Conductor cross section (mm <sup>2</sup> )		Cable outside diameter (mm)		Sheathing stripping length A	Insulation stripping length B	Conductors tightening torque	
	Stranded	Flexible	Min.	Max.			Min. (Nm)	Max. (Nm)
3PS200	120	95	22	50	135	38	6,7	10



Remark: In order to use OPTIMA METAL products in the best conditions, it's important to refer to supplied drawings and follow recommendations. For max In use max cable with max cross section.

## How to use the HDSD ?

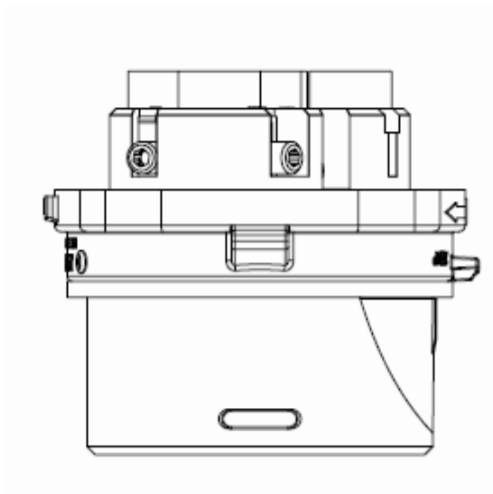
1. Depress the latch to free the cover.
2. Open the cover handly. (Option: spring open cover).
3. Push the plug in the socket and twist to set the switch in the rest position, waiting for connection.
4. Drive the plug in the socket and secure with latch to make the connection. Plug is kept connected by the latch.
5. To disconnect, depress the latch to free the plug.
6. Twist and remove the plug: "the cover closes automatically".

**SCAME**

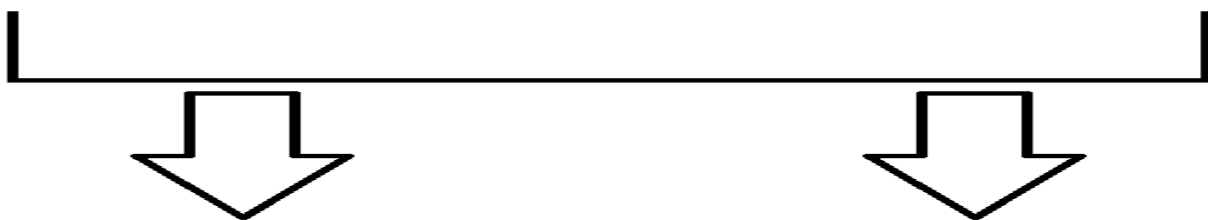
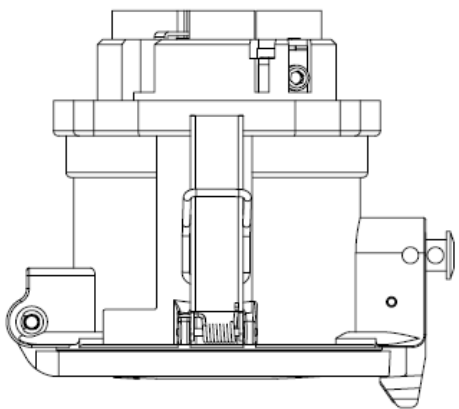
S.p.A.

PARRE - (Bergamo)  
zp90982-10-2\_mp39370

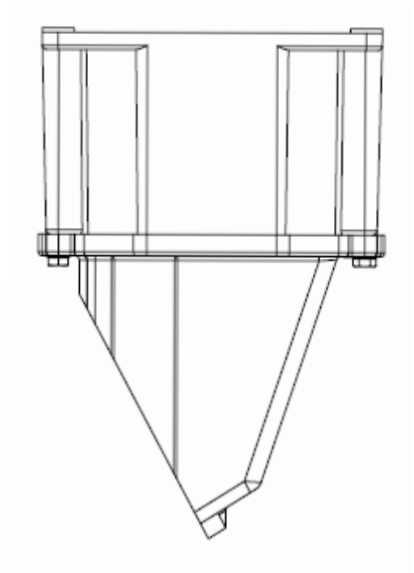
APPLIANCE INLET



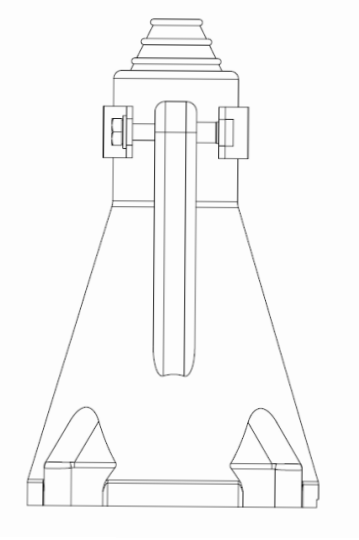
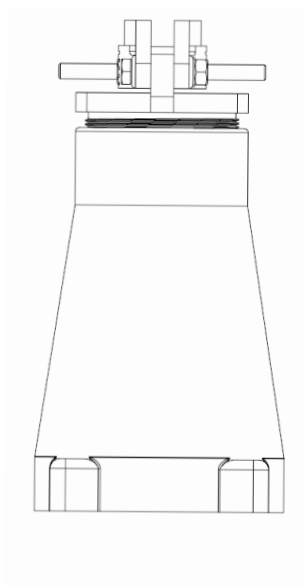
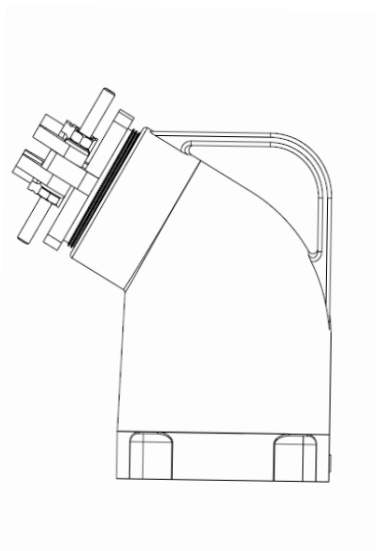
SOCKET



WALL AND SURFACE MOUNTING BOX



HANDLES



PRODUCT REFERENCE

- |               |               |
|---------------|---------------|
| 899.SD2A3NE01 | 899.SD2D3NE01 |
| 899.SD2A3OE01 | 899.SD2D3OE01 |
| 899.SD2A3OE03 | 899.SD2D3OE03 |
| 899.SD2P3NE01 |               |
| 899.SD2P3OE01 |               |
| 899.SD2P3OE03 |               |

SCAME

S.p.A.

PARRE - (Bergamo)

zp90982-10-2\_mp39370