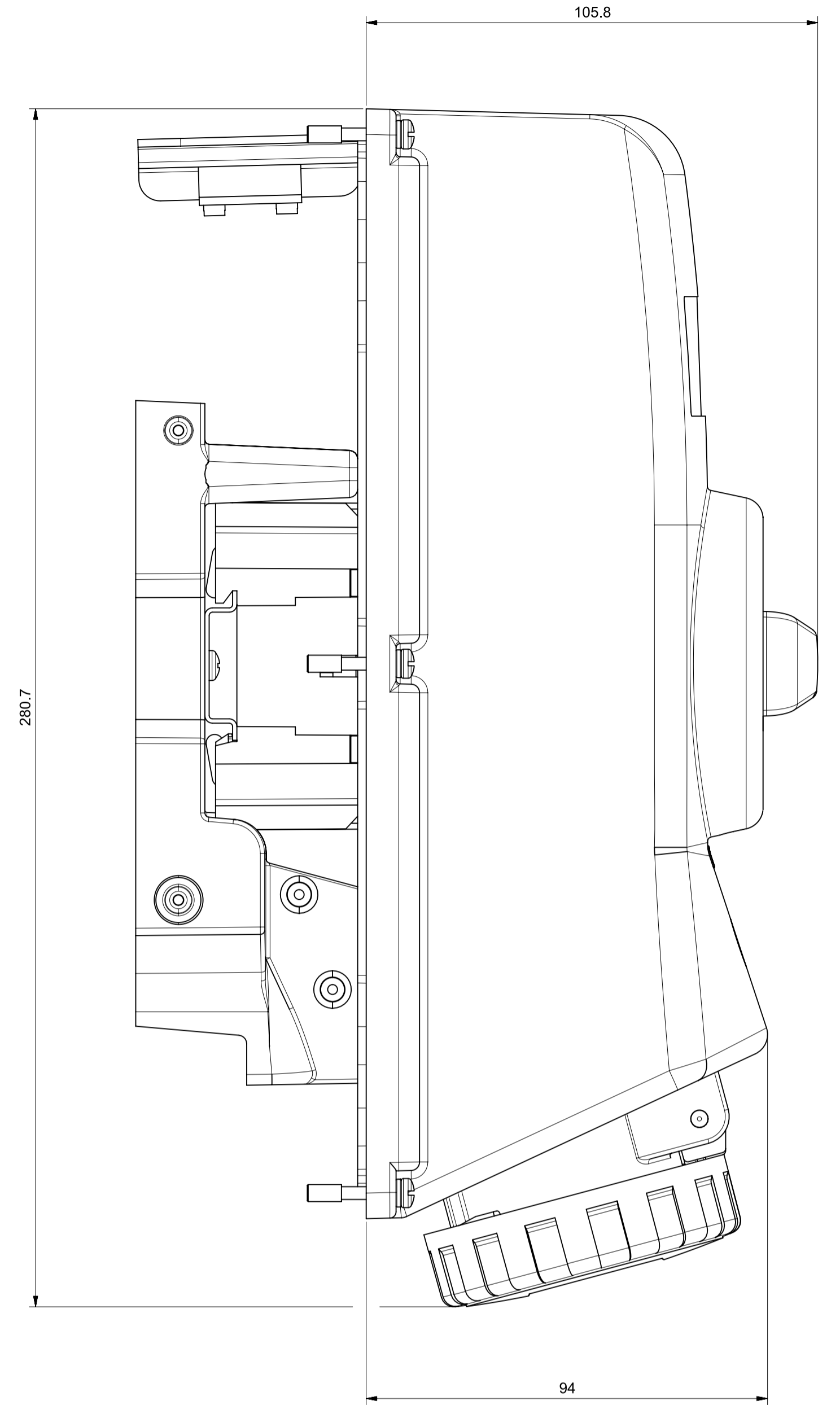
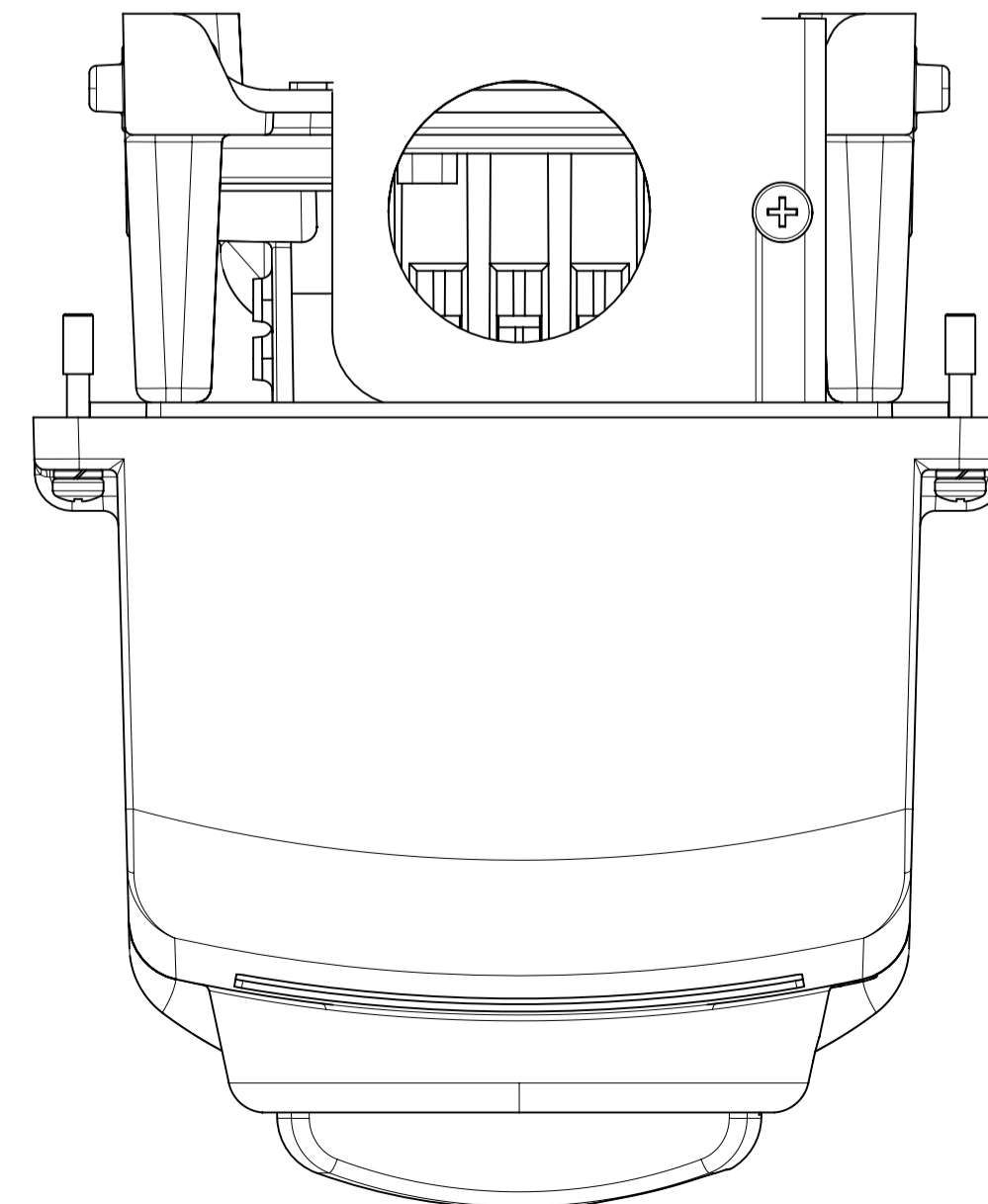
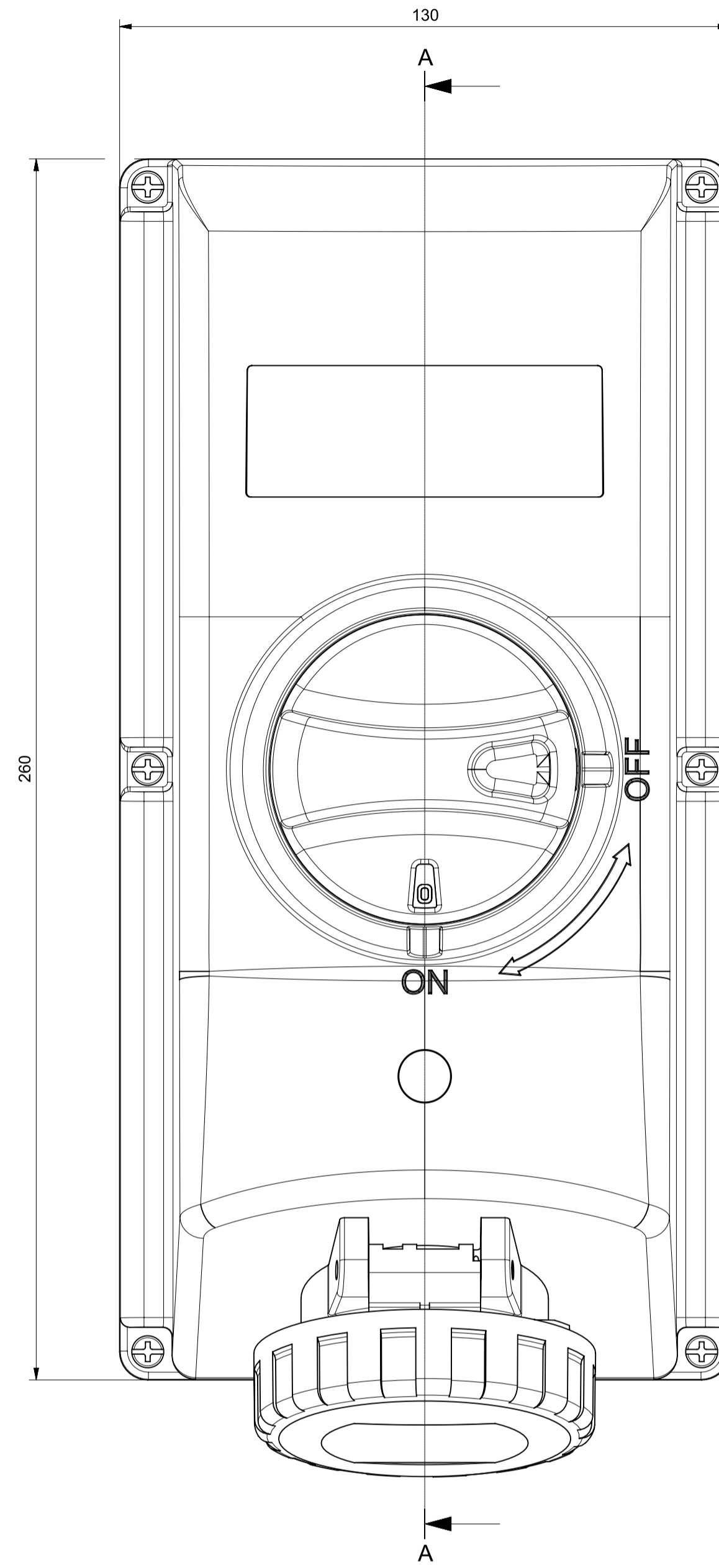
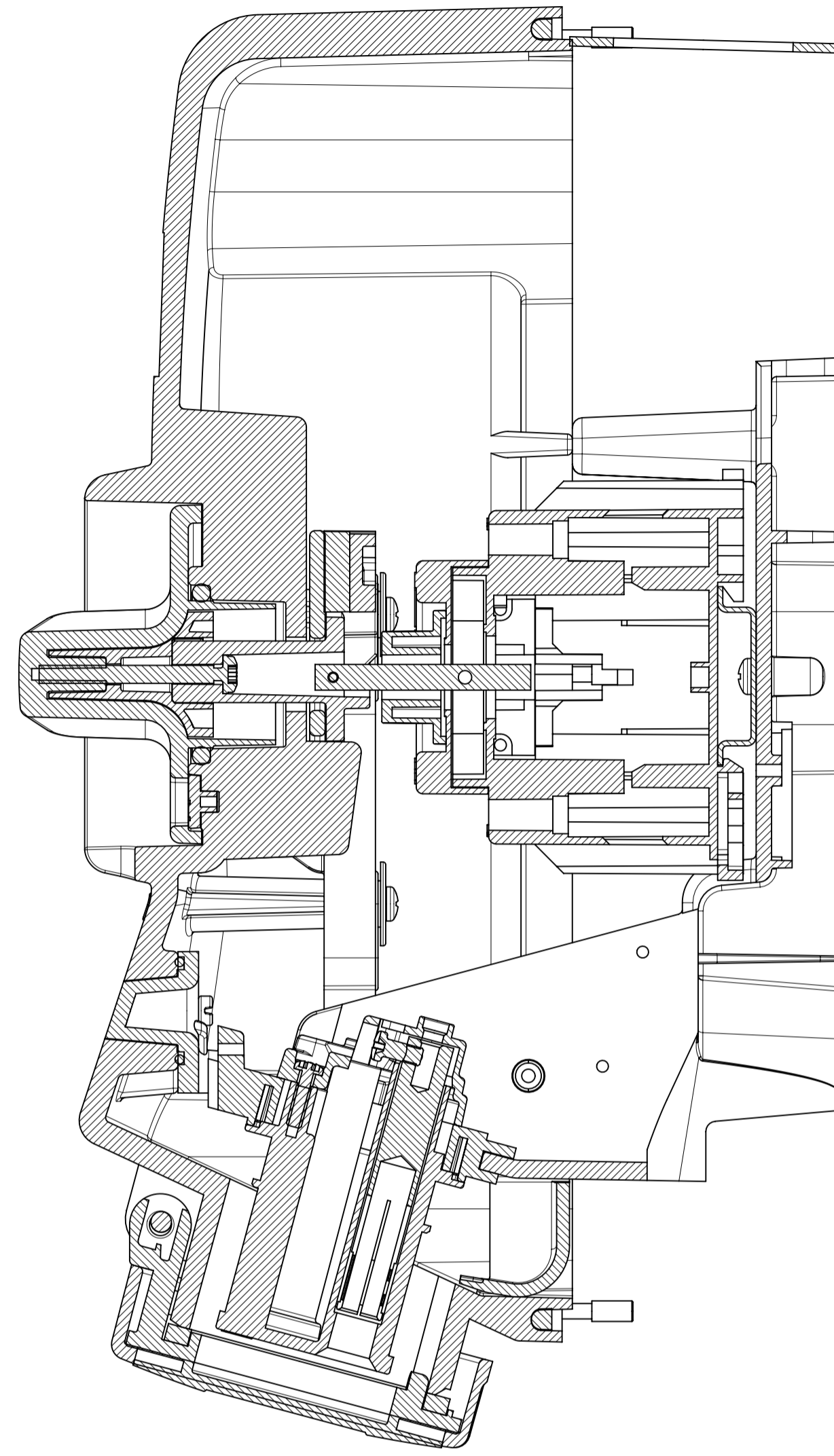


Sezione A-A



<p>At the end of the law, we reserve the ownership of this design may not be copied and transfer it to third parties or competitors</p> <p><b>SCAME</b> S.p.A. PARRE - (Bergamo)</p>	Format	A1	Scale	1:1	Mould N°	1000XXXX	Drawn	SCAME	
	<p>Tolerances for linear and angular dimensions without indication of specific tolerances: JS13 / UNI 286-1:2010</p>							Date	18-04-2016
	<p>DESCRIPTION</p> <p><b>PRESA INTERB. GRP UL 2P+T 20A S/BASE</b></p>							Approved	Sheet 1 / 1
							CODE	4005992	