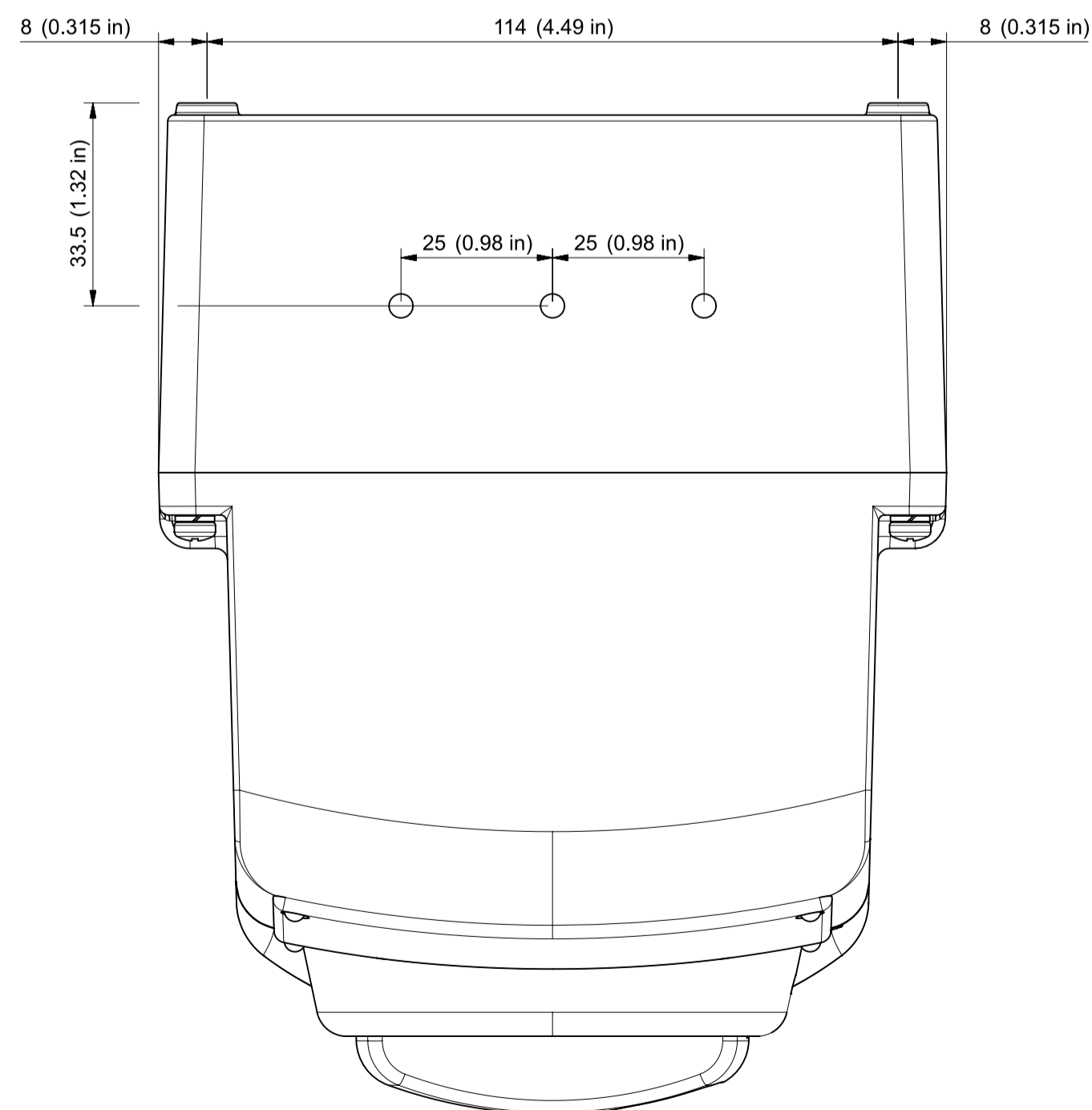
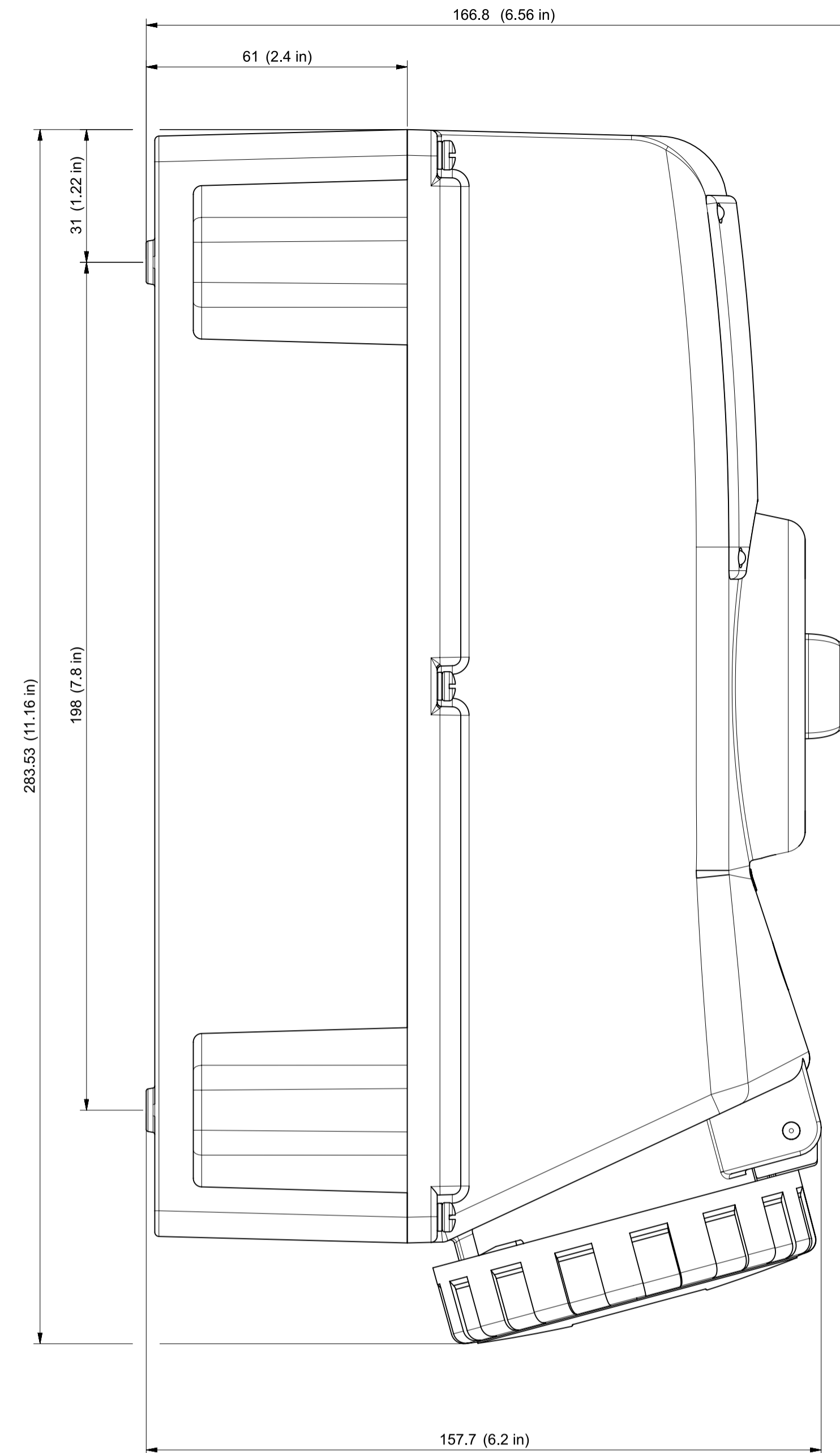
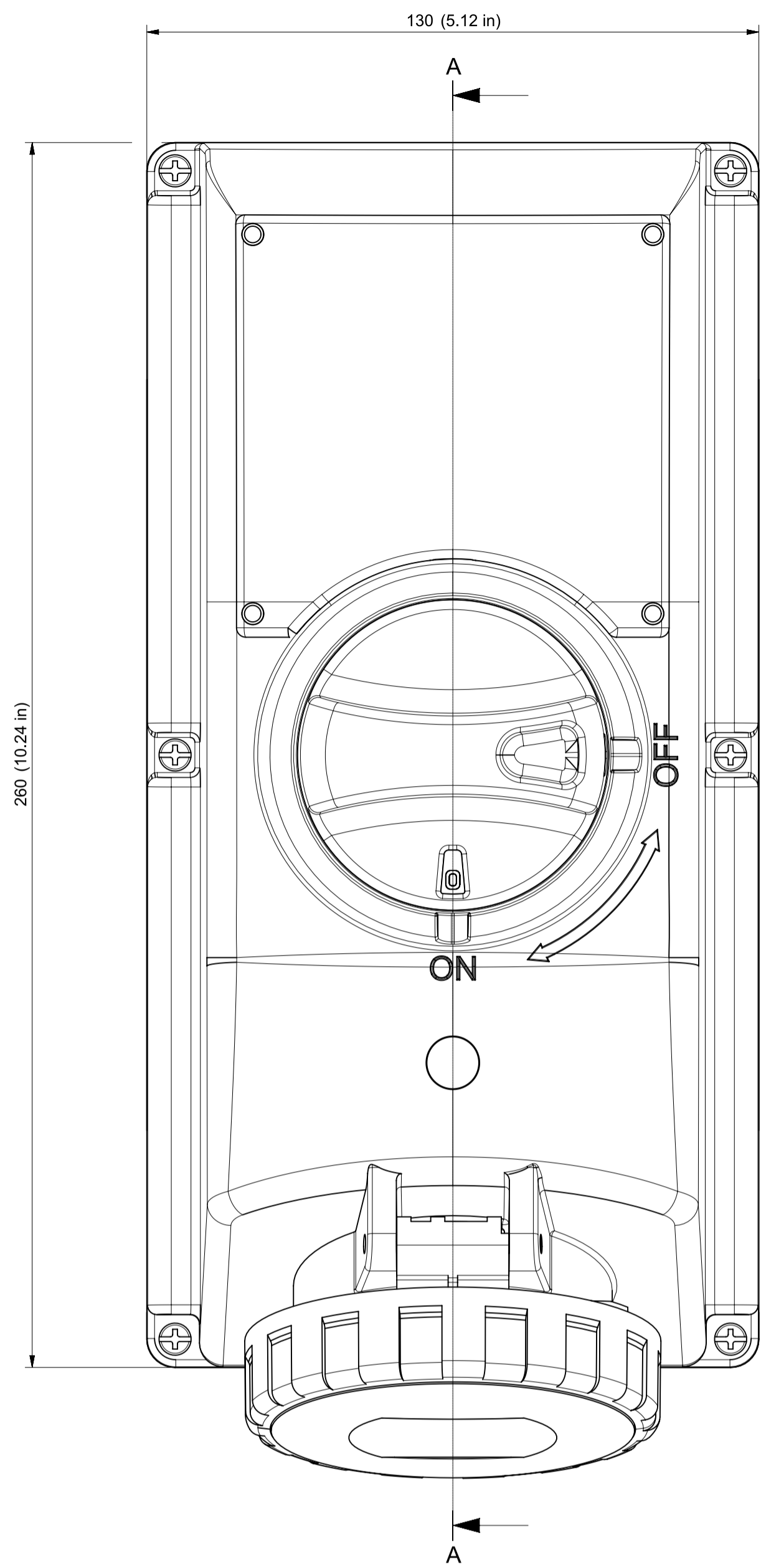
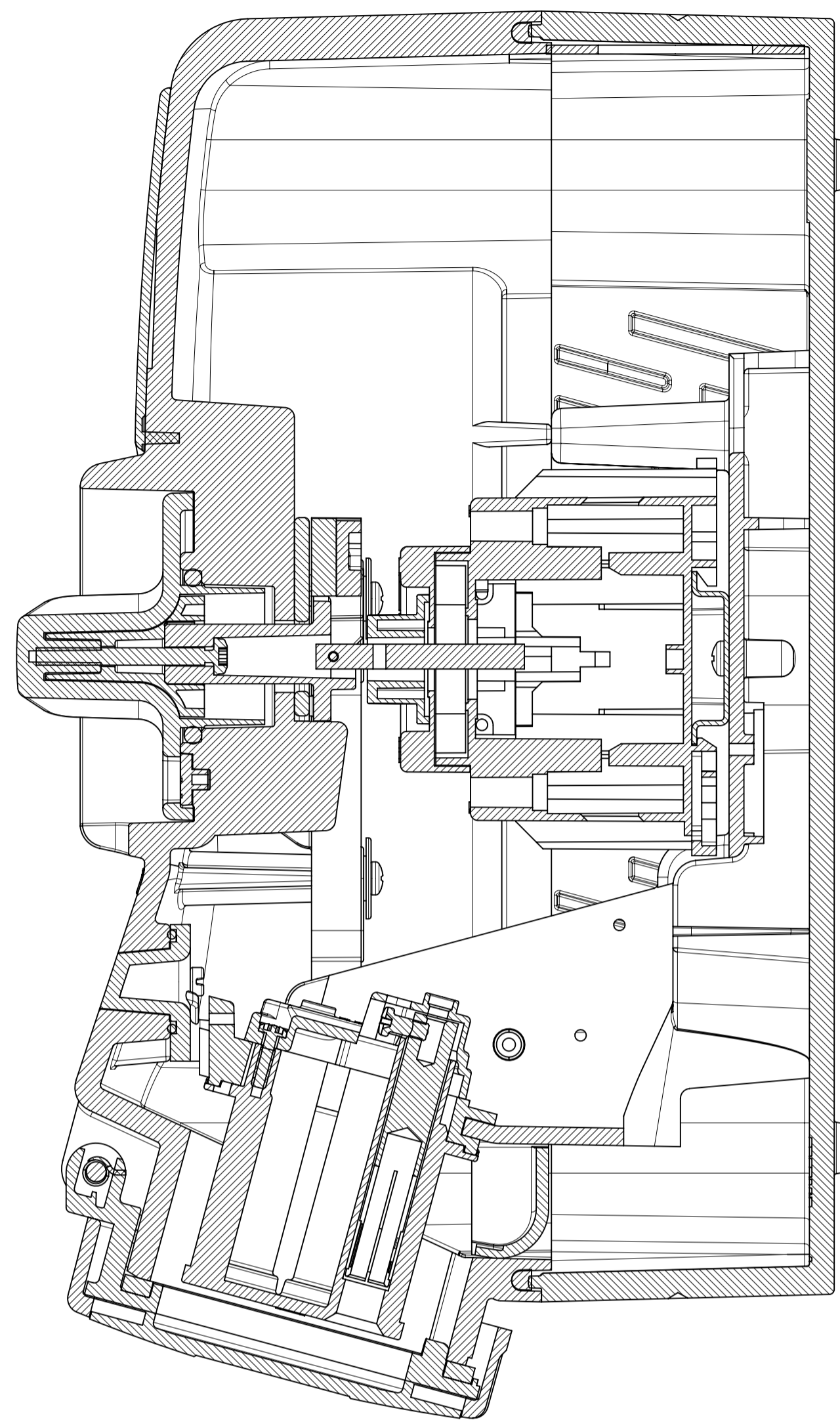
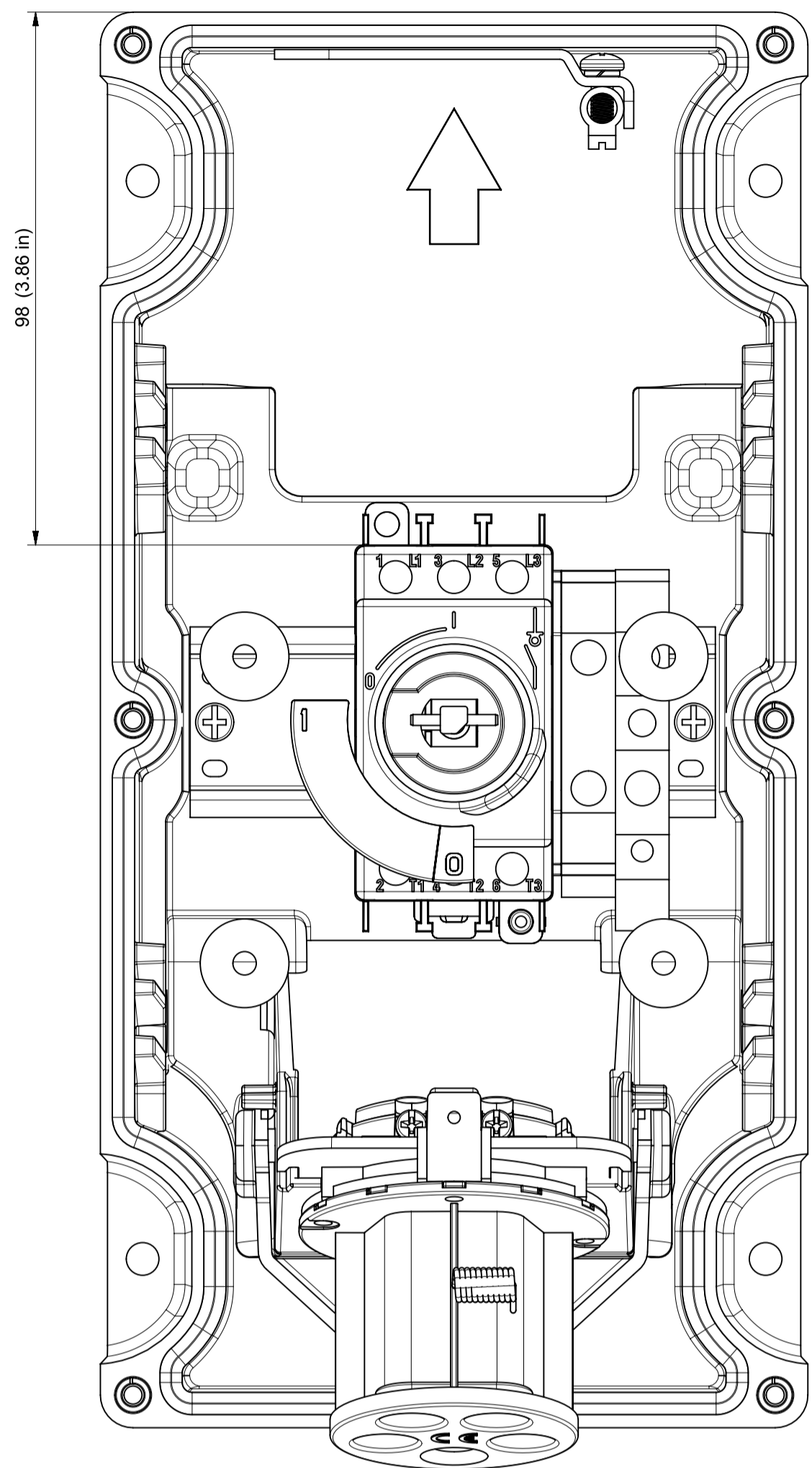


Sezione A-A



<p>At the end of the law, we reserve the ownership of this design may not be copied and transfer it to third parties or competitors</p> <p>SCAME S.p.A. PARRE - (Bergamo)</p>	Format	A1	Scale	1:1	Mould N°	1000XXXX	Drawn	SCAME
	<p>Tolerances for linear and angular dimensions without indication of specific tolerances: JS13 / UNI 286-1:2010</p>							Date
<p>DESCRIPTION</p> <p>PRESA INTERB. GRP UL 3P+N+T 20A</p>							Approved	
<p>CODE</p> <p>4004994</p>							<p>Sheet 1 / 1</p>	