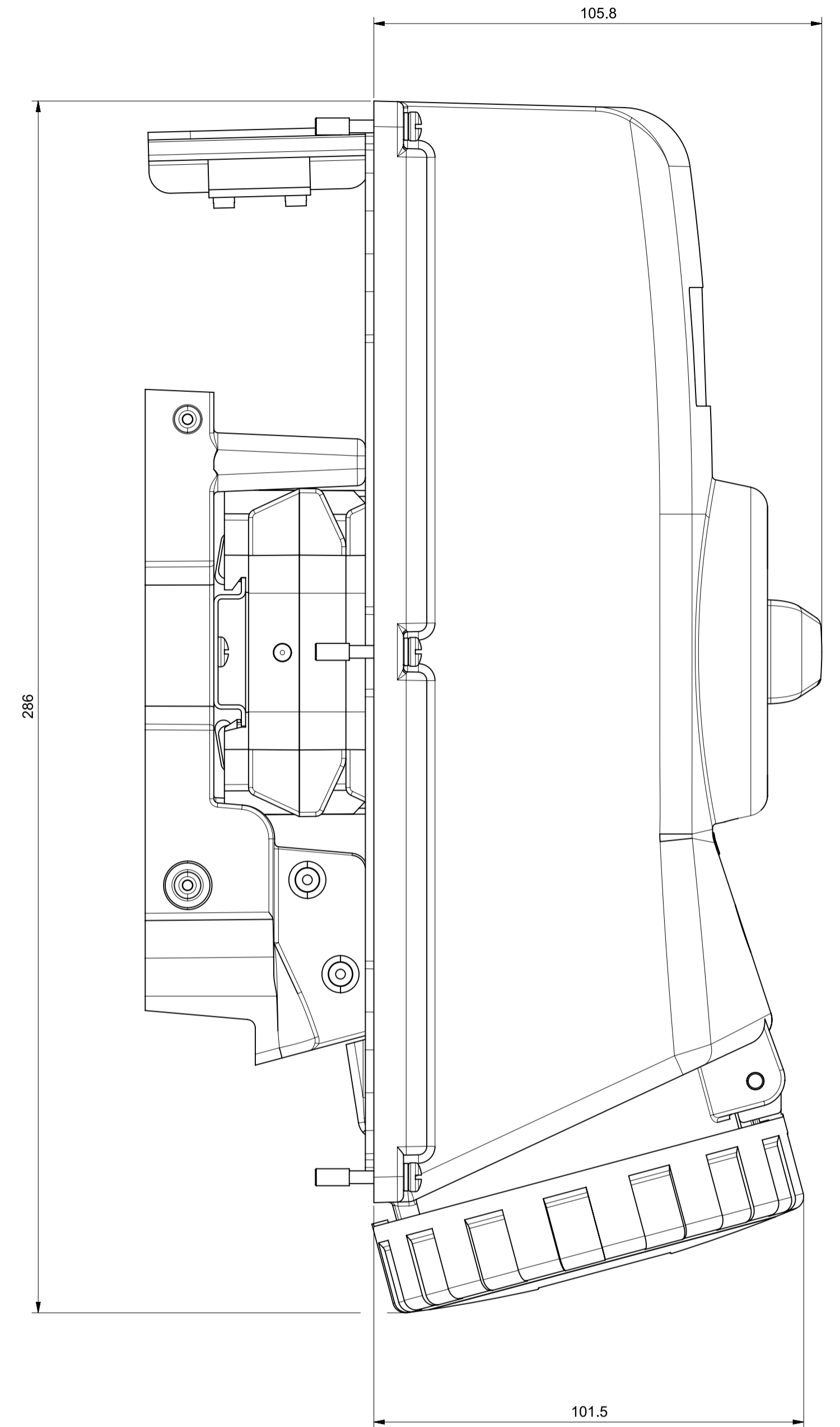
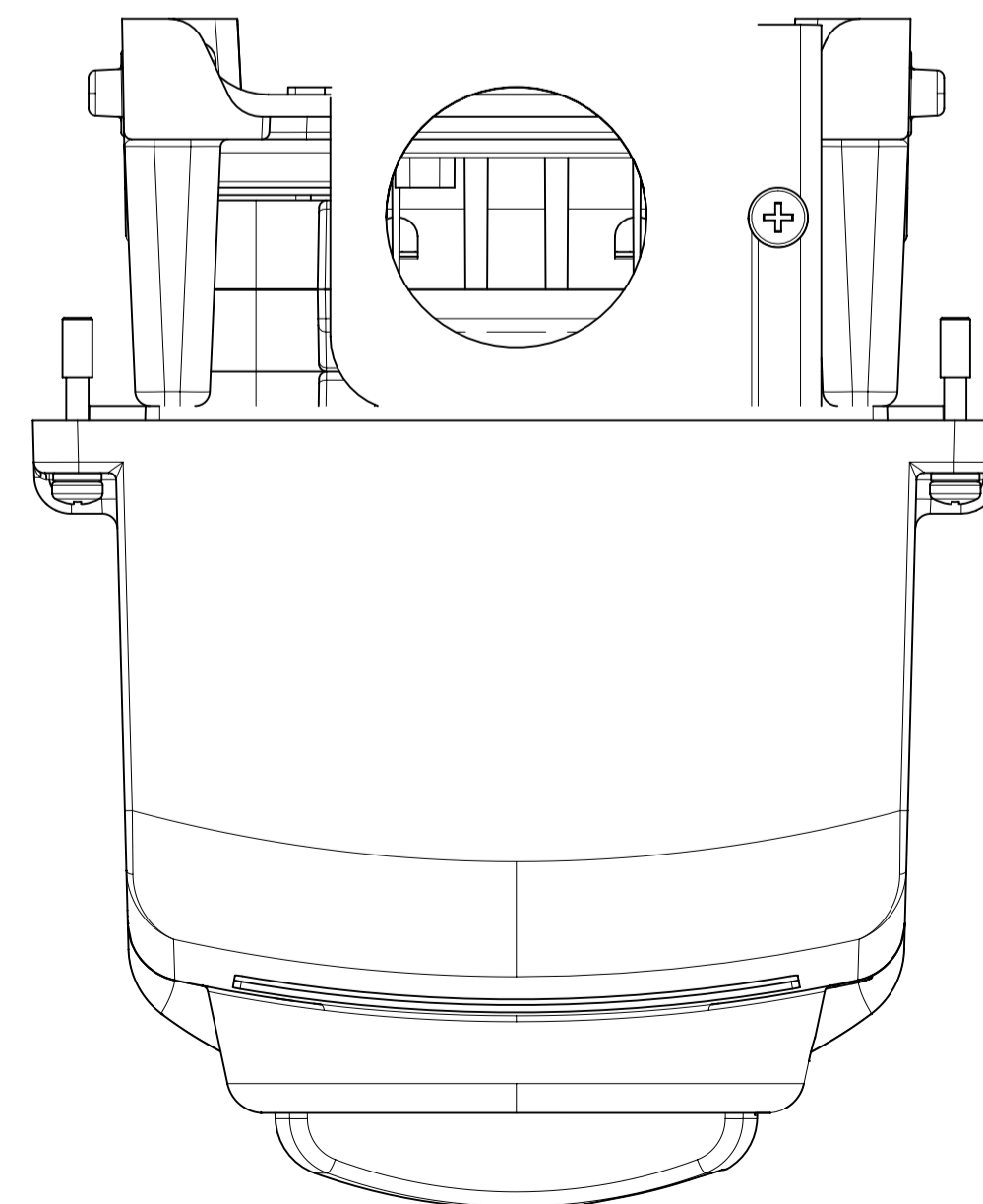
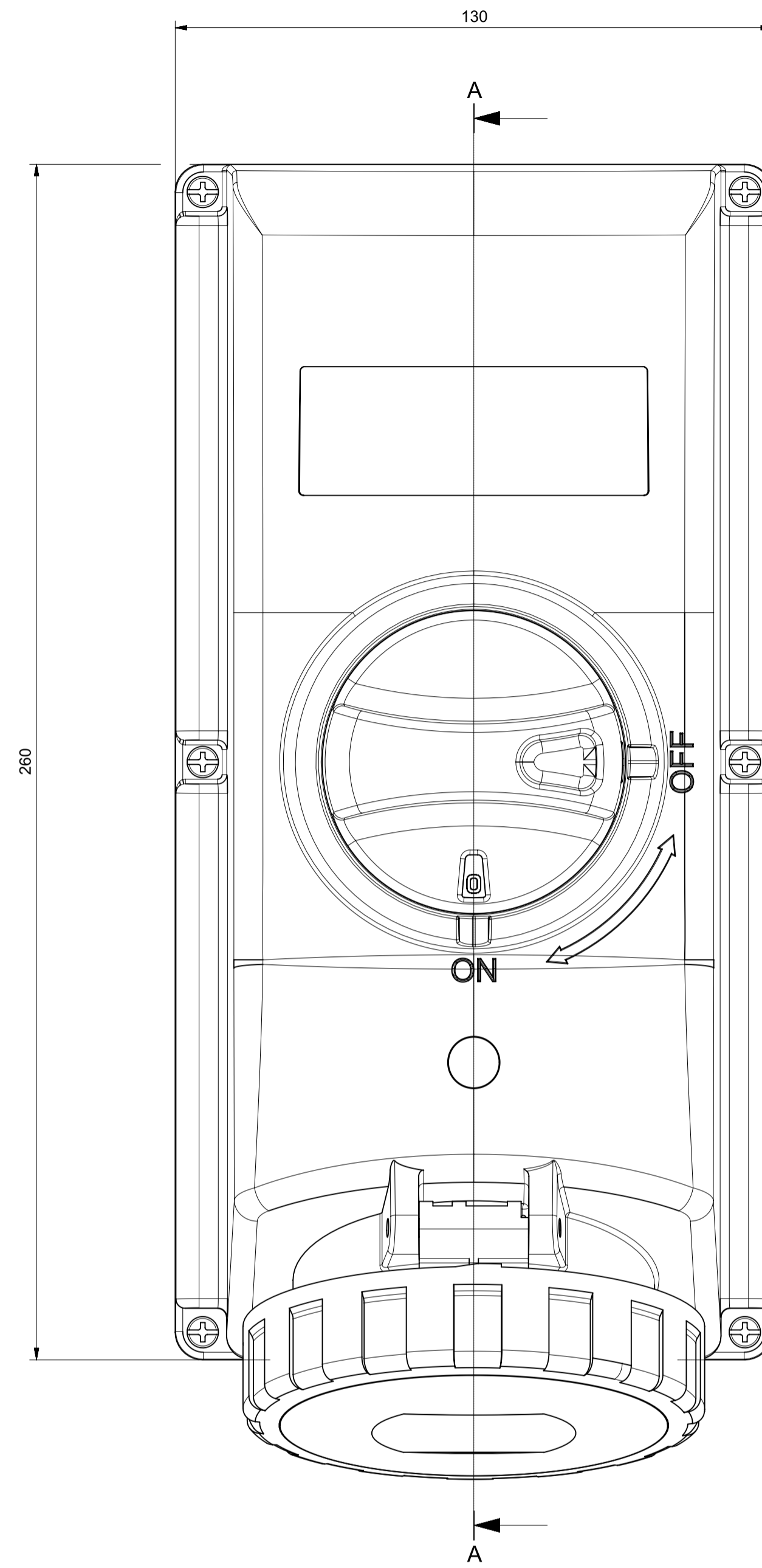
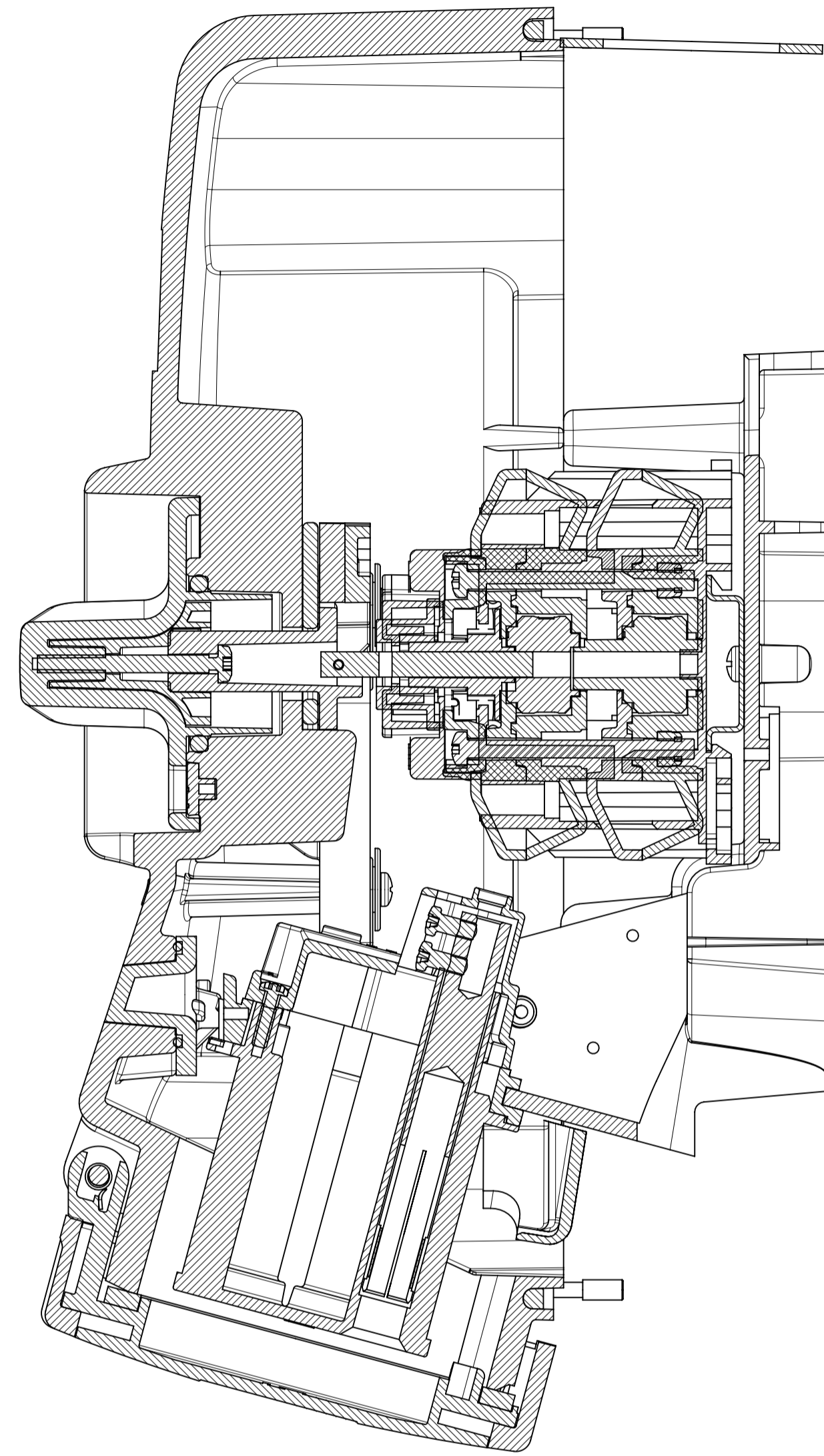


Sezione A-A



<p>At the end of the law, we reserve the ownership of this design may not be copied and transfer it to third parties or competitors</p> <p>SCAME S.p.A. PARRE - (Bergamo)</p>	Format	A1	Scale	1:1	Mould N°	1000XXXX	Drawn	SCAME
	Tolerances for linear and angular dimensions without indication of specific tolerances: JS13 / UNI 286-1:2010						Approved	18-04-2016
	DESCRIPTION						CODE	Sheet 1 / 1
PRESA INTERB. GRP UL 3P+N+T 20A S/BASE						4005997		